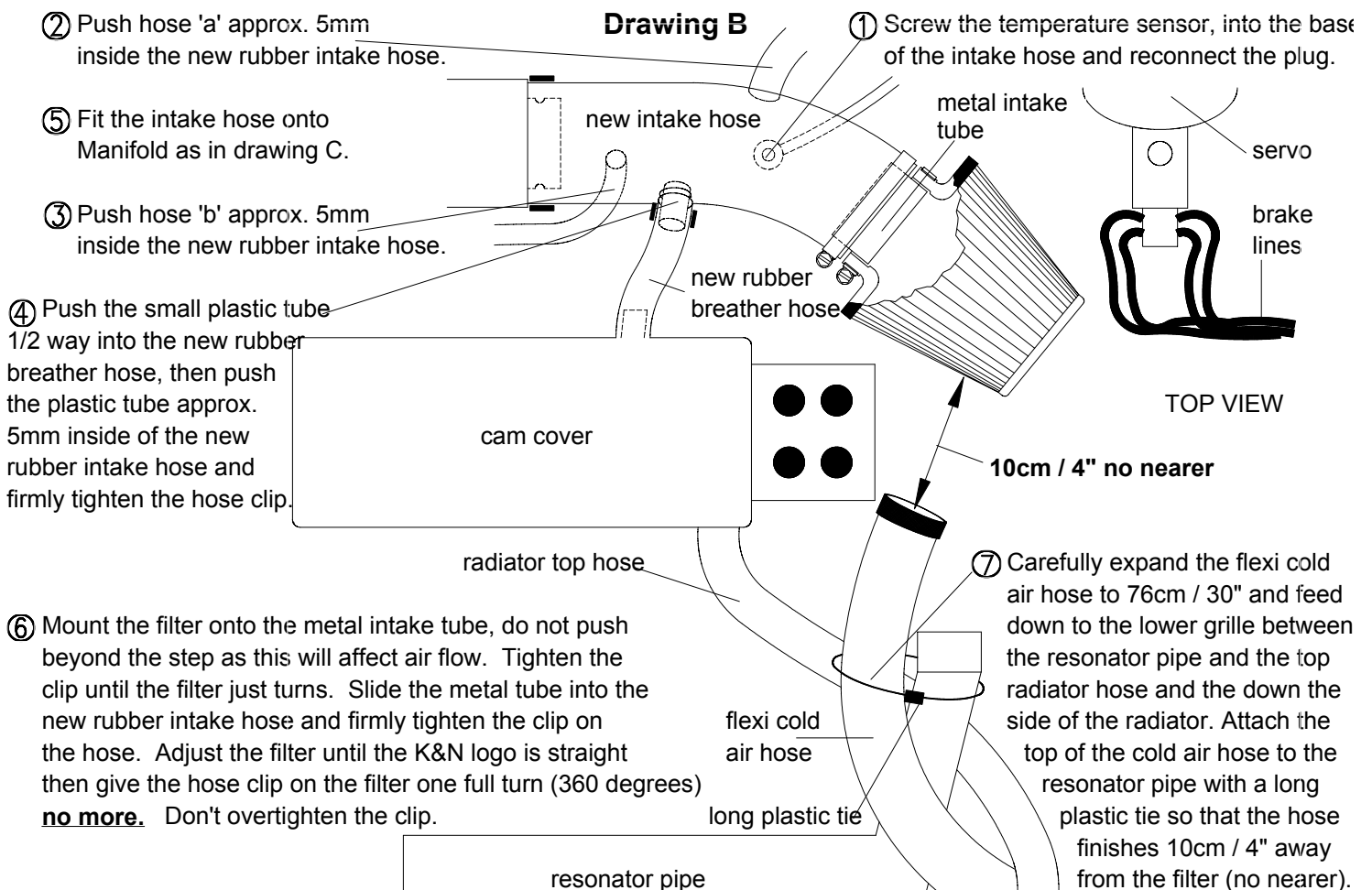
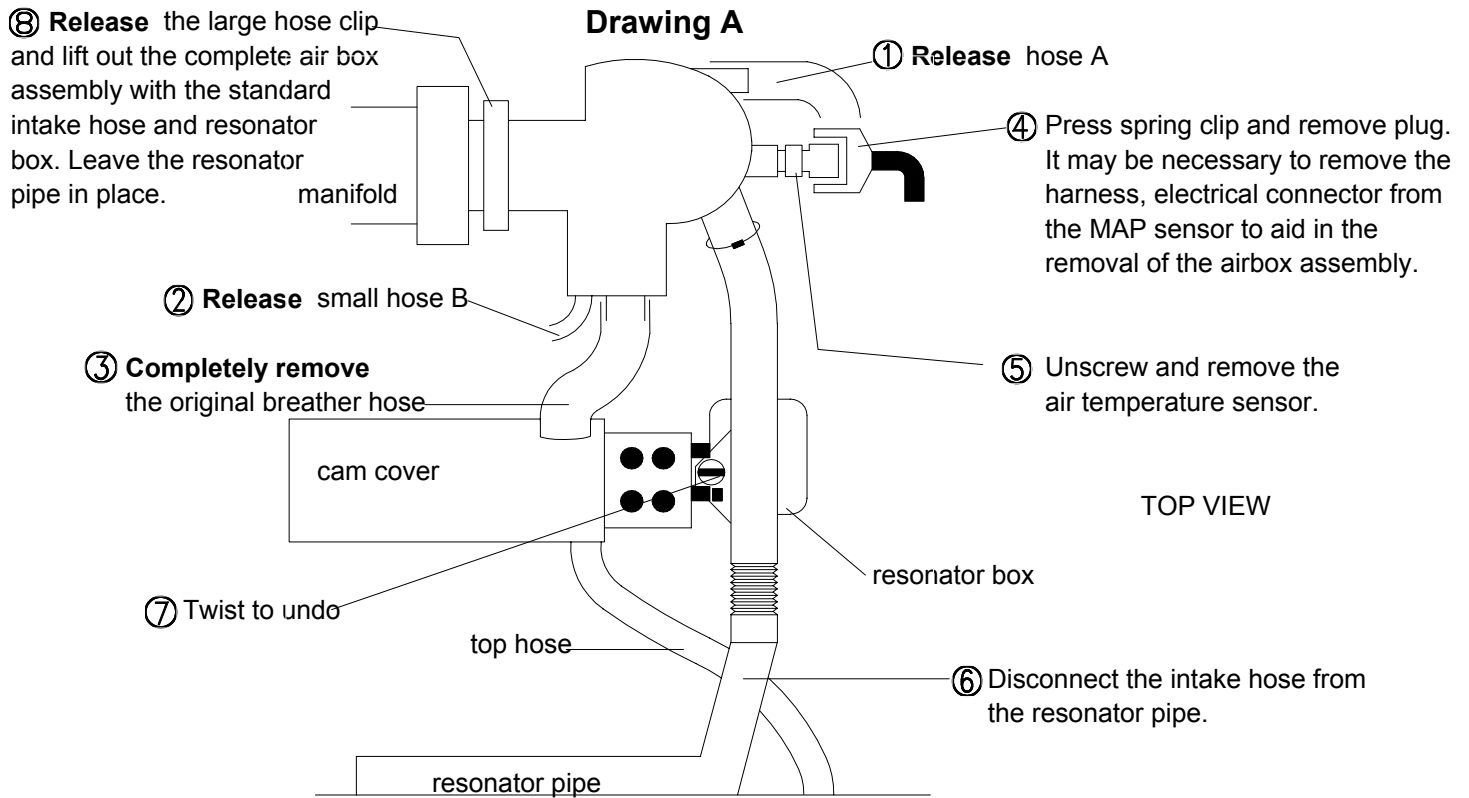


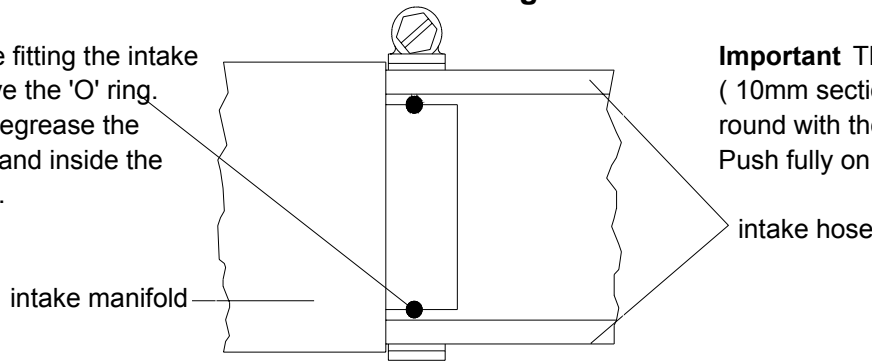
PLEASE READ THESE INSTRUCTIONS CAREFULLY BEFORE FITTING THIS KIT

If you have a problem, however small, call our Technical Department

Tel:- 01925 636950. Fax:- 01925 418948. Monday to Friday 9am - 5pm

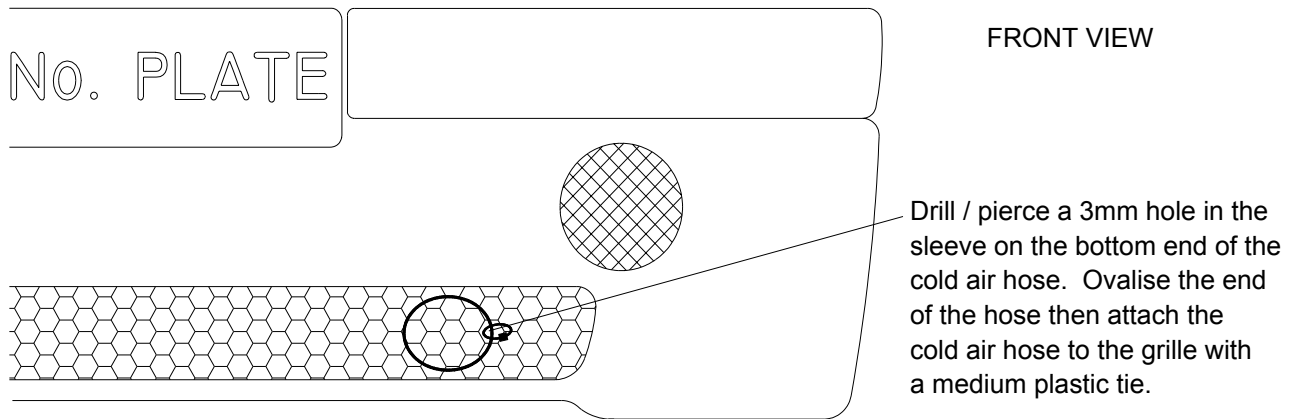


Note: Before fitting the intake hose, remove the 'O' ring. Clean and degrease the intake neck and inside the rubber hose.



Important The hose clip (10mm section) must fit flush all round with the end of the intake hose. Push fully on and firmly tighten the clip.

Drawing D



Tuning.

CAT. Cars No adjustments required

An increase in fuel mixture may be required if further modifications are carried out.

Filter Maintenance.

Under normal conditions clean and reoil the filter at approx. 40,000 miles / 65,000km.

Use only K&N cleaner and oil and follow the instructions carefully.

K&N filters are pre-oiled ready to fit

The advantage of K&N's cold air intake system.

Cooler air being denser, will show positive improvements in power over filter systems that draw hot air from the engine bay.

This Kit Should Contain:

- 1 x Clamp On Filter
- 1 x Hose Clip #44
- 1 x Metal Intake Tube
- 1 x Plastic Breather tube
- 1 x Rubber Intake hose
- 1 x Rubber Breather Hose
- 1 x Cold Air Hose Assembly
- 1 x Instruction Sheet
- 1 x Instruction Pack :-
 - 1 x K&N Window sticker
 - 1 x Filter Maintenance Sheet
 - 1 x Million Mile Warranty
 - 1 x Leaflet
- 1 x Fixing Kit :-
 - 1 x Intake Hose Clip size #44
 - 1 x Intake Hose Clip size #40
 - 1 x Breather Hose Clip size #12
 - 1 x Long Cable Tie
 - 1 x Medium Cable Tie

FITTING YOUR OWN 57i KIT

If not it is **essential** that the person fitting the kit (e.g. mechanic) **carefully follows these particular instructions** even if he has fitted K&N kits before. This will save you both time and money. kits incorrectly fitted may show a loss in performance e.g. the positioning of the essential cold air hose, (flexi expandable and rubber hoses are used).

A final check under the bonnet, by yourself with the instructions, would seem sensible

