

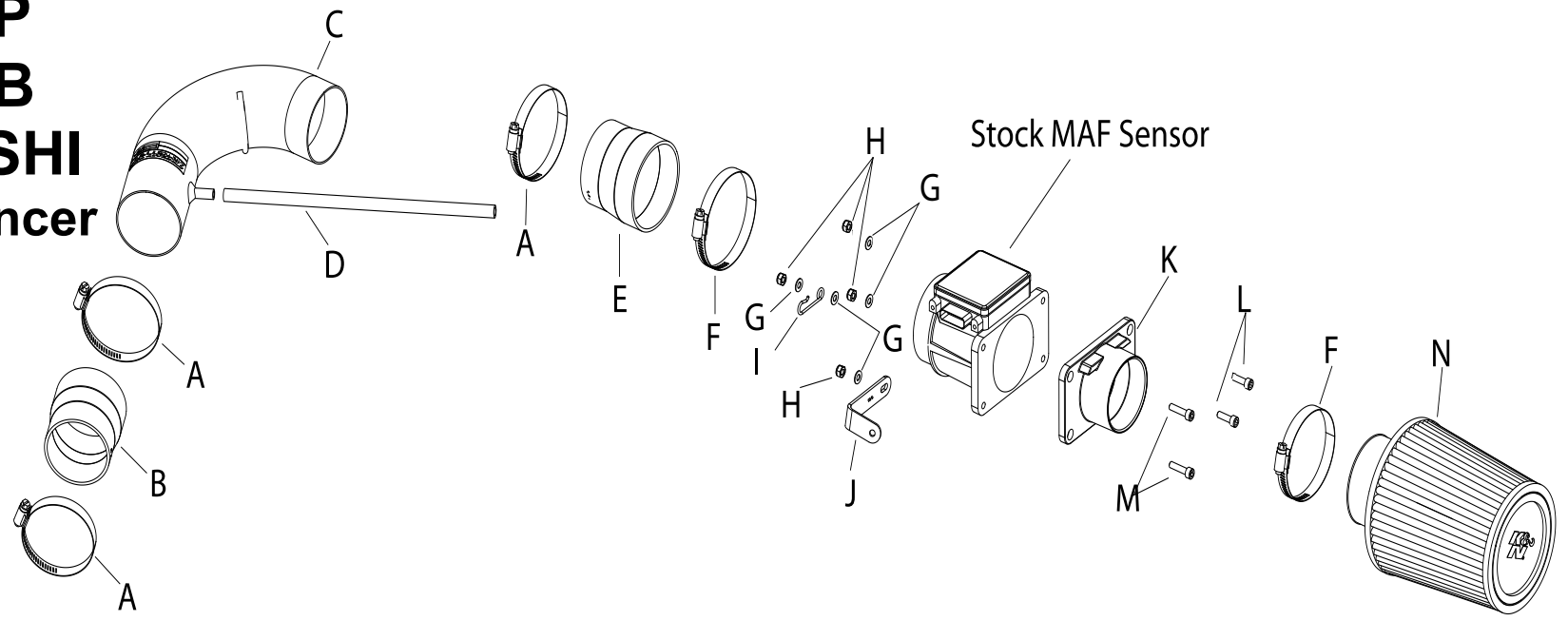


# TYPHOON INTAKE SYSTEMS

INTAKE SYSTEMS FOR VEHICLES LISTED ARE 50 STATE LEGAL. SEE KNFILTERS.COM FOR CARB STATUS ON EACH PART FOR A SPECIFIC VEHICLE.

## INSTALLATION INSTRUCTIONS

**69-6540TP**  
**69-6540TB**  
**MITSUBISHI**  
**2002-06 Lancer**  
**L4-2.0L**



**TOOLS NEEDED:**

- Needle Nose Pliers
- 5mm Allen Wrench
- Ratchet
- 6" Extension
- 10mm Socket

**PARTS LIST:**

| Description                   | Qty. | Part #  |
|-------------------------------|------|---------|
| A Hose Clamp, #44, SS         | 3    | 08560   |
| B Silicone Step Hose, Black   | 1    | 08096   |
| C Intake Tube                 | 1    | 27105   |
| D Hose, 8mm x 12-1/2" L.      | 1    | 08079   |
| E Silicone Step Hose, Black   | 1    | 08429   |
| F Hose Clamp # 48             | 2    | 08601   |
| G 6mm Flat Washer             | 5    | 08269   |
| H 6mm Nylock Nut, SS          | 4    | 07512   |
| I Wire Hanger                 | 1    | 21900   |
| J "L" Bracket                 | 1    | 070033  |
| K Adaptor; #320               | 1    | 088007  |
| L 6mm Cap Head Screw, 20mm L. | 2    | 07862   |
| M 6mm Cap Head Screw, 25mm L. | 2    | 07860   |
| N Air filter                  | 1    | RU-4730 |

**NOTE: FAILURE TO FOLLOW INSTALLATION INSTRUCTIONS AND NOT USING THE PROVIDED HARDWARE MAY DAMAGE THE INTAKE TUBE, THROTTLE BODY AND ENGINE.**

**TO START:**

1. Turn off the ignition and disconnect the negative battery cable.  
**NOTE: Disconnecting the negative battery cable erases pre-programmed electronic memories. Write down all memory settings before disconnecting the negative battery cable. Some radios will require an anti-theft code to be entered after the battery is reconnected. The anti-theft code is typically supplied with your owner's manual. In the event your vehicles' anti-theft code cannot be recovered, contact an authorized dealership to obtain your vehicles anti-theft code.**



2. Disconnect the mass air sensor electrical connection as shown.



3. Unclip the mass air sensor wire harness from the air cleaner assembly as shown.



4. Depress the center pins to release the push clips from the radiator core support, then remove the air inlet duct as shown.



5. Remove the crank case vent hose from the cam cover as shown.



6. Loosen the hose clamps at the mass air sensor and at the throttle body, then, remove the stock intake tube as shown.



7. Unclip the throttle cable from the air cleaner assembly as shown.



8. Loosen the two hex bolts on the air cleaner assembly as shown.



9. Pull upwards to remove the air cleaner assembly as shown.  
**NOTE: K&N Engineering, Inc., recommends that customers do not discard factory air intake.**



10. Remove the four hex nuts that secure the mass air sensor to the air cleaner assembly, then, remove the mass air sensor as shown.  
**NOTE: You will be reusing the stock gasket as well.**



11. Remove the hex bolt on the threaded boss on the head as shown.



12. Install the silicone hoses and hose clamps onto the intake tube as shown, but do not tighten completely.



13. Install the intake tube onto the throttle body, but do not tighten completely at this time.



14. Assemble the mass air adapter, stock gasket, bracket, throttle cable hanger, and the stock mass air sensor using the provided hardware as shown. Do not completely tighten the hardware at this time. **NOTE: The two longer cap screws are located on the side shown. (See arrows)**



15. Slide the mass air sensor assembly into the silicone hose on the intake tube as shown. Snug the hose clamp but do not tighten completely.



16. Secure the bracket on the mass air sensor assembly to the threaded boss from step 11 using the stock hex bolt from the same step. Do not tighten completely.



17. Install the provided silicone hose onto the cam cover and onto the intake tube as shown.



18. Slide the throttle cable into the wire hanger on the mass air sensor assembly as shown.



19. Install the K&N® air filter onto the mass air adapter and secure with the provided hose clamp as shown.



20. Adjust the tube and filter for best fit and clearance, then tighten all hose clamps as shown.



21. Tighten all the hardware on the mass air sensor assembly at this time as shown.



22. Tighten the hex bolt on the bracket at the threaded boss on the cam cover, adjust for best fit and clearance and adjust if necessary.



23. Reconnect the mass air sensor electrical connection as shown.



24. Reconnect the vehicle's negative battery cable. Double check to make sure everything is tight and properly positioned before starting the vehicle.

25. The C.A.R.B. exemption sticker, (attached), must be visible under the hood, so the emissions inspector can see it when the vehicle is required to be tested for emissions. California requires testing every two years, other states may vary.

26. It will be necessary for all K&N® high flow intake systems to be checked periodically for realignment, clearance and tightening of all connections. Failure to follow the above instructions or proper maintenance may void warranty.

#### ROAD TESTING:

1. Start the engine with the transmission in neutral or park, and the parking brake engaged. Listen for air leaks or odd noises. For air leaks secure hoses and connections. For odd noises, find cause and repair before proceeding. This kit will function identically to the factory system except for being louder and much more responsive.

2. Test drive the vehicle. Listen for odd noises or rattles and fix as necessary.

3. If road test is fine, you can now enjoy the added power and performance from your kit.

4. K&N Engineering, Inc., suggests checking the air filter element periodically for excessive dirt build-up. When the element becomes covered in dirt (or once a year), service it according to the instructions on the Recharger® service kit, part number 99-5050 or 99-5000

**INTAKE SYSTEMS FOR VEHICLES LISTED ARE 50 STATE LEGAL. SEE KNFILTERS.COM FOR CARB STATUS ON EACH PART FOR A SPECIFIC VEHICLE.**