



# TYPHOON INTAKE SYSTEMS

NOT LEGAL FOR SALE OR USE ON ANY POLLUTION CONTROLLED MOTOR VEHICLE IN CALIFORNIA OR STATES ADOPTING CALIFORNIA EMISSION PROCEDURES.

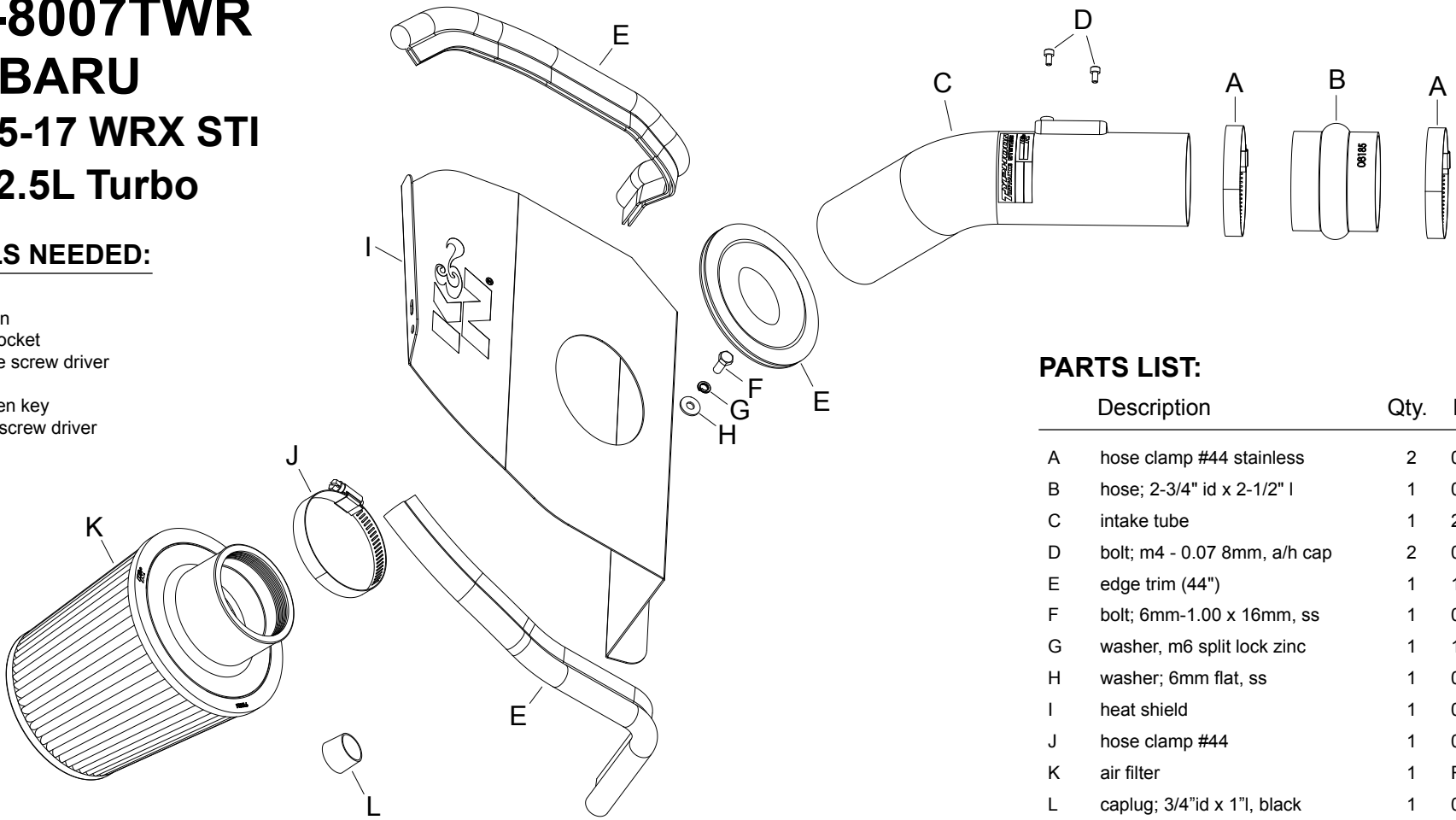
See knfilters.com for CARB status on each part for a specific vehicle

## INSTALLATION INSTRUCTIONS

**69-8007TWR  
SUBARU  
2015-17 WRX STI  
H4-2.5L Turbo**

### TOOLS NEEDED:

- ratchet extension
- 10mm socket
- flat blade screw driver
- pliers
- 3mm allen key
- philipps screw driver



### PARTS LIST:

Description	Qty.	Part #
A hose clamp #44 stainless	2	08560
B hose; 2-3/4" id x 2-1/2" l	1	08185
C intake tube	1	27561WR
D bolt; m4 - 0.07 8mm, a/h cap	2	07733
E edge trim (44")	1	102486
F bolt; 6mm-1.00 x 16mm, ss	1	07812
G washer, m6 split lock zinc	1	1-3025
H washer; 6mm flat, ss	1	08269
I heat shield	1	073185
J hose clamp #44	1	08577
K air filter	1	RU-4870
L caplug; 3/4" id x 1", black	1	08119

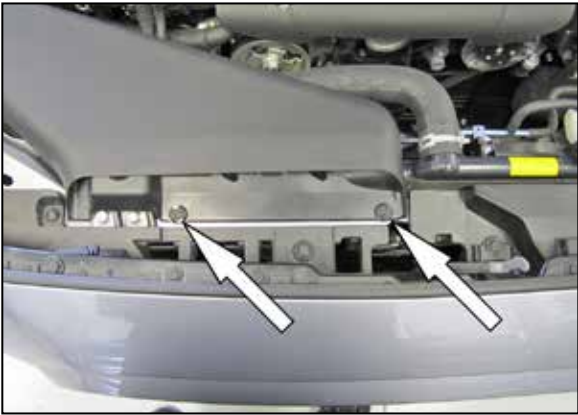
If you need any assistance please call 1-800-858-3333 to speak with a representative in our Customer Service Center before returning the product.

**NOTE: FAILURE TO FOLLOW INSTALLATION INSTRUCTIONS AND NOT USING THE PROVIDED HARDWARE MAY DAMAGE THE INTAKE TUBE, THROTTLE BODY AND ENGINE.**

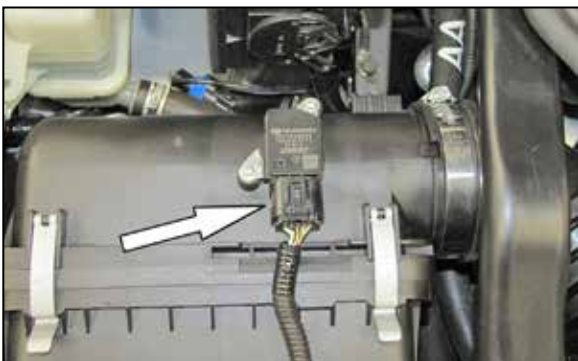
### TO START:

1. Turn off the ignition and disconnect the negative battery cable.

**NOTE: Disconnecting the negative battery cable erases pre-programmed electronic memories. Write down all memory settings before disconnecting the negative battery cable. Some radios will require an anti-theft code to be entered after the battery is reconnected. The anti-theft code is typically supplied with your owner's manual. In the event your vehicles anti-theft code cannot be recovered, contact an authorized dealership to obtain your vehicles anti-theft code.**



2. Remove the two clips securing the fresh air intake duct and then remove the intake duct from the vehicle.



3. Disconnect the mass air sensor electrical connection.



4. Loosen the rear hose clamp and release the spring clamp securing the sound to the drum and intake tube. Then remove the sound tube from the vehicle.



5. Release the spring clamp securing the sound tube to the fitting in the firewall.



6. Remove the two bolts securing the sound drum to the engine and then remove the sound drum and hose from the vehicle.



7. Install the provided cap plug onto the sound drum fitting in the firewall.  
**NOTE: the cap plug is a tight fit, apply a small amount of spray lube to ease the installation of the cap plug.**

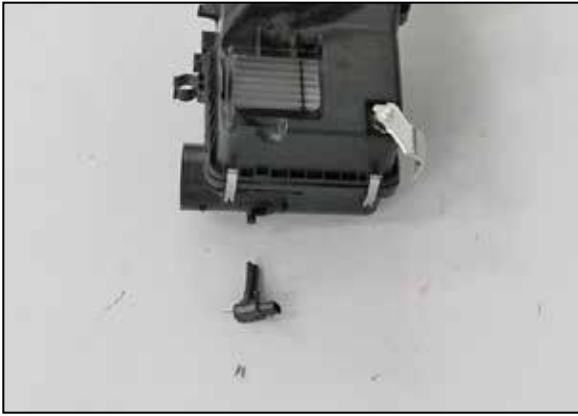


8. Loosen the two hose clamps securing the intake tube and then remove the intake tube from the vehicle.



9. Remove the air box mounting bolt and nuts shown and then remove the complete air filter assembly.  
**NOTE: K&N Engineering, Inc., recommends that customers do not discard factory air intake.**

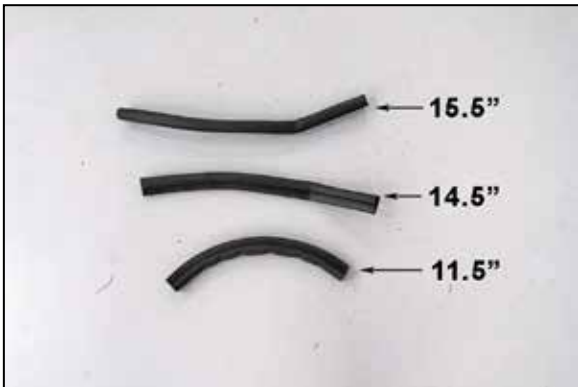




10. Remove the two screws securing the mass air sensor into the air filter housing and then remove the sensor.



11. Install the mass air sensor into the K&N® intake tube and secure with provided hardware.



12. Cut the provided edge trim into three sections, one section should be 15.5" long, one section will be 14.5" long and the final section will be 11.5" long.



13. Install the provided edge trim onto the heat shield as shown.



14. Install the provided coupling hose (08185) onto the turbo inlet and secure with the provided hose clamp.



15. Install the K&N® intake tube through the heat shield as shown and then install the K&N® air filter onto the intake tube and secure with the provided hose clamp.

**NOTE: Drycharger® air filter wrap; part # RX-4730DK is available to purchase separately. To learn more about Drycharger® filter wraps or look up color availability please visit <http://www.knfilters.com>®.**



16. Install the intake assembly onto the frame and inner fender then install the intake tube into the coupling hose. Adjust the tube and heat shield for best fit and secure with the provided hose clamp and hardware.



17. Reconnect the mass air sensor electrical connection.



18. Reconnect the vehicle's negative battery cable. Double check to make sure everything is tight and properly positioned before starting the vehicle.

19. It will be necessary for all K&N® high flow intake systems to be checked periodically for realignment, clearance and tightening of all connections. Failure to follow the above instructions or proper maintenance may void warranty.

#### ROAD TESTING:

1. Start the engine with the transmission in neutral or park, and the parking brake engaged. Listen for air leaks or odd noises. For air leaks secure hoses and connections. For odd noises, find cause and repair before proceeding. This kit will function identically to the factory system except for being louder and much more responsive.

2. Test drive the vehicle. Listen for odd noises or rattles and fix as necessary.

3. If road test is fine, you can now enjoy the added power and performance from your kit.

4. K&N Engineering, Inc., requires cleaning the intake system's air filter element every 100,000 miles. When used in dusty or off-road environments, our filters will require cleaning more often. We recommend that you visually inspect your filter once every 25,000 miles to determine if the screen is still visible. When the screen is no longer visible some place on the filter element, it is time to clean it. To clean and re-oil, purchase our filter Recharger® service kit, part number 99-5050 or 99-5000 and follow the easy instructions.

**NOT LEGAL FOR SALE OR USE ON ANY POLLUTION CONTROLLED MOTOR VEHICLE IN CALIFORNIA OR STATES ADOPTING CALIFORNIA EMISSION PROCEDURES.**

See [knfilters.com](http://knfilters.com) for CARB status on each part for a specific vehicle