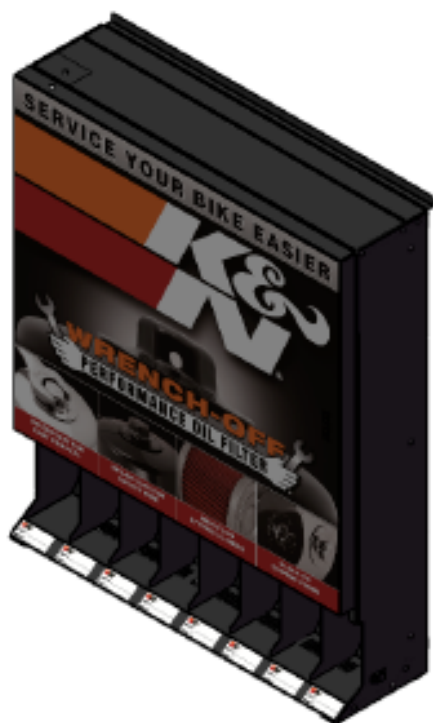


K&N Oil Filter Dispenser Assembly Instruction Sheet



Item# 87-11614

K&N Engineering, Inc.
1455 Citrus Street
Riverside, CA 92507
TEL: (951) 826-4000
WWW.KNFILTERS.COM

Parts list

1.



Main cabinet 1pc

2.



Dividers 7pcs

3.



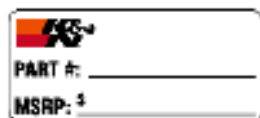
Slatwall mounting
bracket 1pc

4.



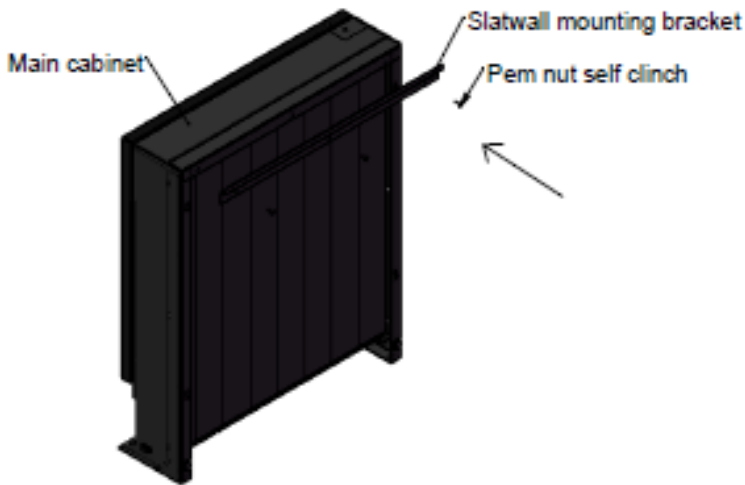
Pem nut self
clinch 3pcs

5.



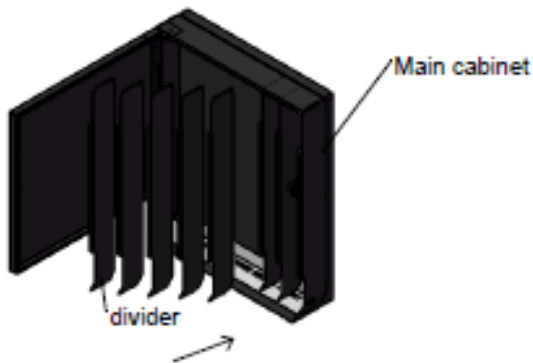
8 individual decals on
1 long strip , each decal's
size : 2 7/8"

Assembly Step 1



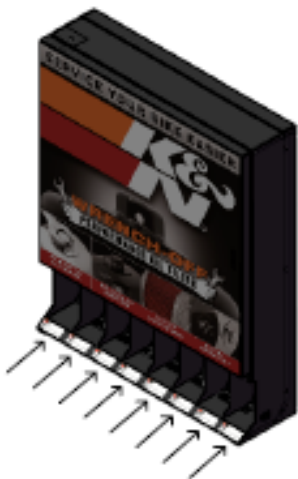
MOUNT UNIT TO WALL:
If unit will be hung on slatwall, use 3 "pem nut self clinches" to affix slatwall mounting bracket to the rear of main cabinet, along the top.

Assembly Step 2



Open the door, put the dividers inside the cabinet one by one, spaced to fit your desired assortment of filters

Assembly Step 3



Apply Part Number decals to the retail shelf strip.

Assembly is complete.